

MUNDIAL

INDUSTRIAL PLUGS AND SOCKETS

Description: IP67 WALL INTERLOCKING SOCKET DIN RAIL 3P+N+E 380V 16A 6H

Reference:

03843

Characteristics:

Product type:	Low voltage wall interlocking socket with DIN rail
Current:	16A
Poles:	3P+N+E
Voltage:	200/346 - 240/415 V
Frecuency(Hz):	-
Time code:	6
Colour:	Red
Weight (kg):	1,68
Dimensions:	
Materials:	Halogen-free plastic materials. Plastic parts: Polyamide 6. Contacts: Copper-zinc alloy
Packaging units:	1

Technical data:

Degree of protection:	IP67
Degree of protection remarks:	
Resistance to impact:	IK08
Glow wire resistance:	960 °C
Ball pressure test:	125 °C
Ambient temperature range:	-25 °C / +40 °C

Certifications and norms:

Directive:	2014/35/EU
Standards:	IEC 60309-1-2
Certificates:	



Codes:

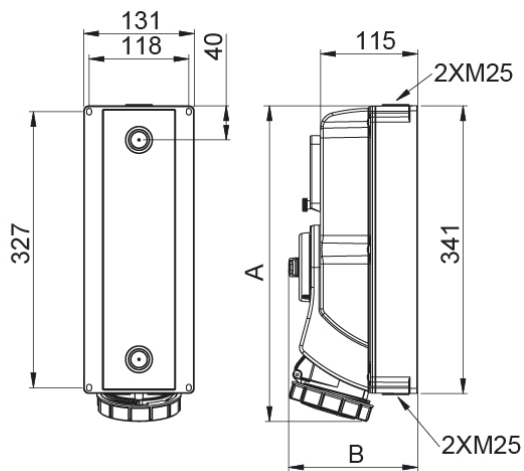
EAN:	8431044038438
Customs tariff number:	85.36.69.90
ETIM 8.0:	EC001324

MUNDIAL

INDUSTRIAL PLUGS AND SOCKETS

Description: IP67 WALL INTERLOCKING SOCKET DIN RAIL 3P+N+E 380V 16A 6H

Reference: 03843



Dimensions:

I	Poles	Dimensions		
		A	B	M
16 A	2P+E	361	153	3x25
	3P+E	361	153	3x25
	3P+N+E	363	153	3x25
32A	2P+E	371	153	3x25
	3P+E	371	153	3x25
	3P+N+E	372	153	3x25
63 A	2P+E	496	195	-
	3P+E	496	195	-
	3P+N+E	496	195	-

Sustainability:

RoHS - REACH

Product end of life stage:

Product concerned in the WEEE regulations.

Supply:

Supplied in a single box per packaging multiple